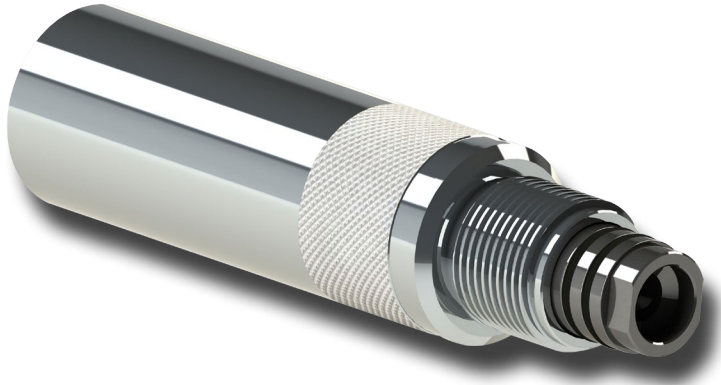


Plug Shoot Assembly (PSA)

Titan Division | Wireline Hardware and Accessories

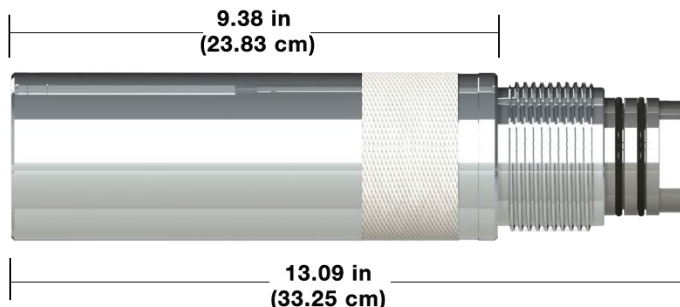


Hunting is reducing the toolstring footprint without compromising reliability or performance.

Hunting has improved the traditional plug and shoot toolstring by combining the plug/shoot adapter, “quick-change” and firing head into one component - the Plug Shoot Assembly (PSA).

Reduce Three Components to One

New Version

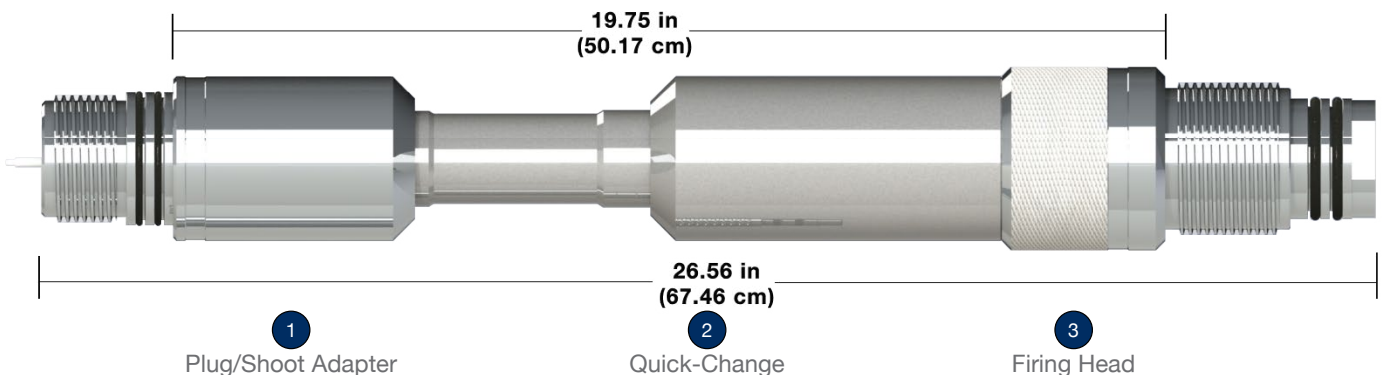


1

Plug Shoot Assembly

The Plug Shoot Assembly reduces the number of seal points from five to two and toolstring footprint by ~10 inches [25 cm].

Traditional Version



1

Plug/Shoot Adapter

2

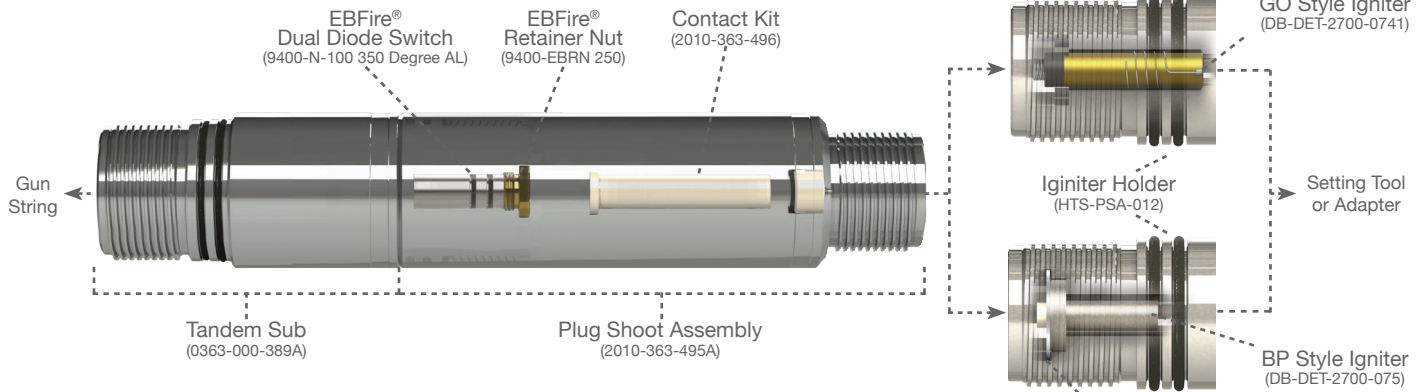
Quick-Change

3

Firing Head

Easy to Assemble

One Igniter Holder: Two Styles of Igniter



Note: When using a BP Style igniter ensure that a snap ring (0263-000-135) is used to hold it in place.

Use with the T-Set® Family of Setting Tools

Part Number	Description	T-Set® Family of Setting Tools			
		#10 Style	#20 Style	3-1/2" Shorty	3-5/8" Compact
2010-362-495A	2-3/4" #10 Style Plug Shoot Assembly	Y	N	Y*	Y**
2010-363-495A	3-1/8" #10 Style Plug Shoot Assembly	Y	N	Y*	Y**
2020-363-495A	3-1/8" #20 Style Plug Shoot Assembly	N	Y	N	Y***
2020-365-495A	3-3/8" #20 Style Plug Shoot Assembly	N	Y	N	Y***

(Y*) requires adapter WST-5321-132; (Y**) required adapter WST-3625-132; (Y***) requires adapter WST-3625-133

Each Plug Shoot Assembly is compatible with multiple T-Set setting tools.

Specifications & Additional Components

Part Number	Description	Specifications				Additional Components	
		Outside Diameter (in)[mm]	Overall Length (in)[cm]	Shoulder Length (in)[cm]	Weight (lb)[kg]	Igniter Holder	Contact Kit
2010-362-495A	2-3/4" #10 Style Plug Shoot Assembly	2.75 [70]	13.41 [34]	9.69 [25]	27.5 [12]	HTS-PSA-012	2010-363-496
2010-363-495A	3-1/8" #10 Style Plug Shoot Assembly	3.13 [79]	13.09 [33]	9.38 [24]	35.6 [16]	HTS-PSA-012	2010-363-496
2020-363-495A	3-1/8" #20 Style Plug Shoot Assembly	3.38 [86]	13.04 [33]	8.81 [22]	40.0 [18]	HTS-PSA-022	2020-363-496
2020-365-495A	3-3/8" #20 Style Plug Shoot Assembly	3.38 [86]	13.04 [33]	8.81 [22]	42.6 [19]	HTS-PSA-022	2020-363-496

Note: The Plug Shoot Assembly ships with an igniter holder and contact kit

For more information contact your Titan Division sales representative today! Or visit us at: www.hunting-intl.com/titan

Contact Information

Sales
sales.titan@hunting-intl.com

Support
support.titan@hunting-intl.com

Perforating
Pampa, TX USA (806) 665-3781
Milford, TX USA (972) 493-1200
Calgary, AB CAN (403) 543-4477

Instruments
Pampa, TX USA (806) 665-3781
Wichita Falls, TX USA (940) 691-1005
Houston, TX USA (713) 463-5881

Energetics
Milford, TX USA (972) 493-2580

Distribution
Hunting's distribution centers are strategically placed globally. For more information, visit us at: www.hunting-intl.com/titan